

#### Features

- Low-threshold design for easy entry and exit.
- Recessed right drain.
- Single threshold for three-wall installation.
- Requires K-9330 Groove aluminum drain cover or K-9334 Groove teak drain cover (sold separately).

#### Material

- Acrylic.

#### Required Products/Accessories

K-9330 Drain Cover

or

K-9334 Drain Cover

#### Recommended Products/Accessories

K-9132 Shower Drain

K-23726 Drain treatment

K-23732 Tub & shower cleaner



#### Codes/Standards

CSA B45.5/IAPMO Z124

ASTM E162

ASTM E662




#### KOHLER® Plastic Baths and Receptors Lifetime Limited Warranty

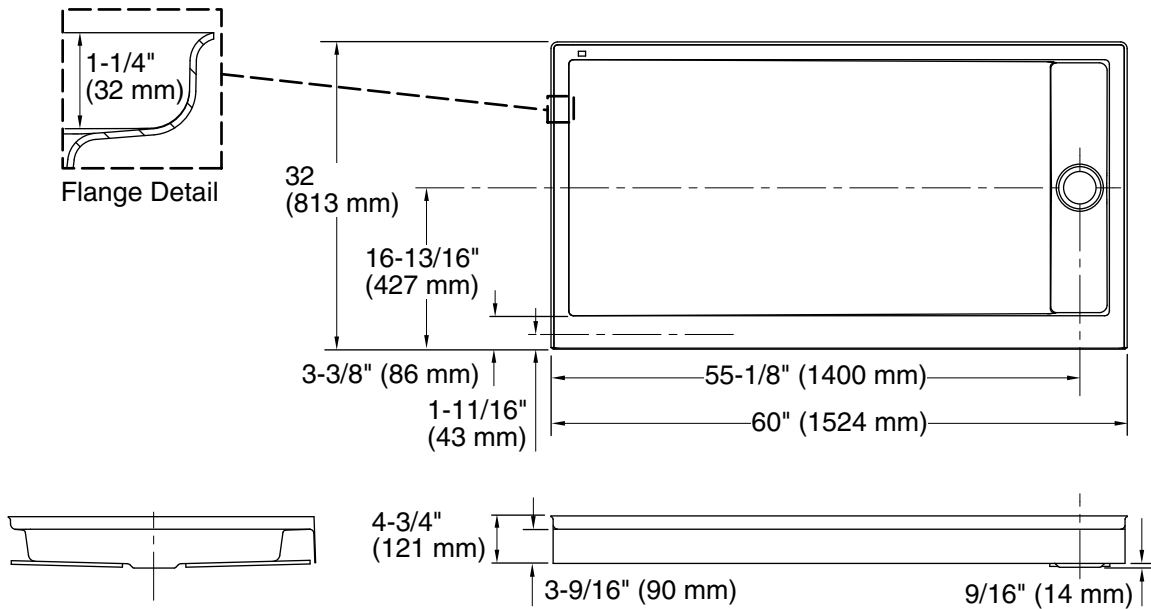
See website for detailed warranty information.

#### Available Colors/Finishes

*Color tiles intended for reference only.*

Color	Code	Description
-------	------	-------------

	0	White
	96	Biscuit
	95	Ice™ Grey



### Technical Information

All product dimensions are nominal.

Installation: Three-wall alcove  
 Drain location: Right  
 Weight: 65 lbs (29.5 kg)  
 Minimum floor load: 20 lbs/ft<sup>2</sup> (97.6 kg/m<sup>2</sup>)

### Notes

Measure your actual product for rough-in details.  
 Install this product according to the installation instructions.  
 Shimming may be required to level the fixture.  
 Shimming may be required between the stud frame and the fixture.  
 Stud opening tolerance is + 1/4" (6 mm), - 0" (0 mm).